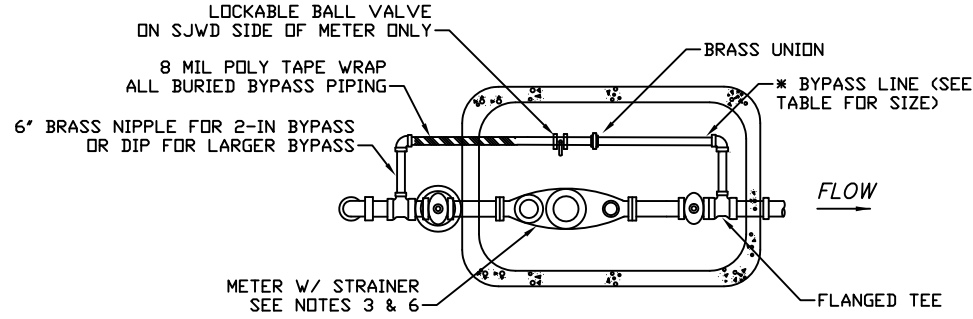


ELEVATION
VIEW

NOTES:

1. METER BOX SHALL BE CHRISTY B-52 FOR 3" METER, OR APPROPRIATELY LARGER SIZED BOX FOR LARGER METERS AS NECESSARY TO CONTAIN ALL PIPING & FITTINGS WITH MINIMUM OF 6" CLEARANCE ALL AROUND (PER DETAIL). LARGER BOXES TO BE APPROVED BY DISTRICT, LIDS SHALL BE BOLT-DOWN TYPE MARKED "WATER".
2. ALL FITTINGS 4" & LARGER SHALL BE FLANGED OR MJ MECHANICALLY RESTRAINED (W/ EBAA IRON MEGALUG RESTRAINERS OR APPROVED EQUAL).
3. DISTRICT TO SPECIFY METER TYPE AND SIZE. OWNER TO PROVIDE METER AND INSTALL.
4. PROVIDE LOCATING WIRE INSTALLED PER SHEET 14 OF 27.
5. H-20 TRAFFIC RATED BOXES AND LIDS REQUIRED WHERE TRAFFIC LOADING IS PROPOSED OR CAN OCCUR.
6. SENSUS W-951 OR DISTRICT APPROVED EQUIVALENT STRAINERS REQUIRED ON ALL METERS 3" AND LARGER.
7. ALL UNDERGROUND DIP SHALL BE MORTAR LINED AND BITUMINOUS COATED AND P.E. WRAPPED PER AWWA STDS.
8. FLANGE BOLTS AT METER SHALL BE BRASS 270 ALLOY, HEX HEAD, PARTIALLY THREADED TO ADEQUATELY FIT TO FLANGES. BOLTS SHALL BE STRENGTH RATED FOR FLANGE.
9. MORTAR ALL JOINTS BETWEEN BOX SECTIONS AND HOLES/SPACES AT PENETRATIONS.
10. ALL PIPING SHALL BE FULLY MECHANICALLY RESTRAINED.
11. ALL BYPASS PIPING SHALL BE BRASS, DIP, OR DISTRICT PRE-APPROVED ALTERNATE MATERIAL.
12. SUPPORT BLOCKING SHALL BE SET UPON UNDISTURBED NATIVE GROUND OR ENGINEERED FILL MATERIAL AT 95% MINIMUM RELATIVE COMPACTION.
13. CORE DRILL OR CONC. SAW CUT HOLES FOR BOX PENETRATIONS WHERE NOT MANUFACTURER PROVIDED.



PLAN
VIEW

METER SIZE	SERVICE PIPING	* MIN. BYPASS PIPING
3"	4"	2"
4"	4"	2"
6"	8"	4"
8"	8"	4"

FOR LARGER SERVICE SIZES CONSULT WITH DISTRICT ENGINEERING DEPARTMENT.

NO	DATE	REVISIONS	APP	BY



STANDARD METER CONNECTION
3" AND LARGER
SAN JUAN WATER DISTRICT

APPROVED _____		
SCALE: NTS	PRINT DATE: 08/10/07	DETAIL NO: SHT 20 OF 27