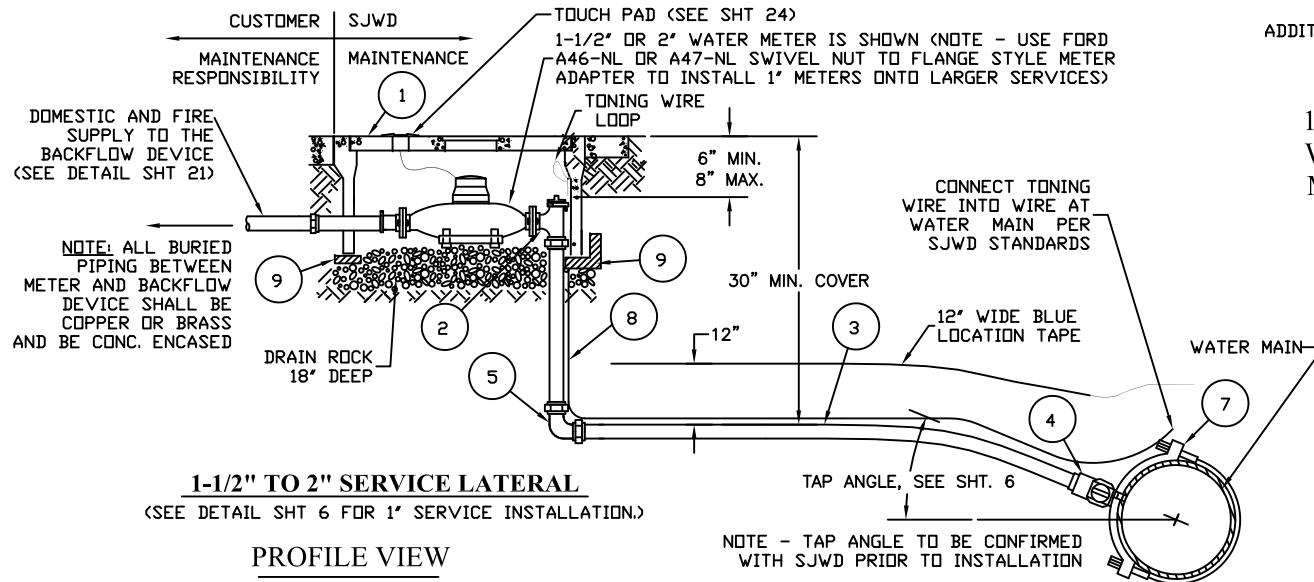


SERVICE MATERIALS DESCRIPTION AND PARTS/MODEL NUMBERS

METER SIZE	1" METER	1-1/2" METER	2" METER
1 METER BOX	B-16 BOX W/B-16GP LID AND PW/TRPL PLUG (OR 1.5" BOX+LID)	B-36 BOX W/G-70GP LID AND PW/TRPL PLUG	B-36 BOX W/G-70GP LID AND PW/TRPL PLUG
2 ANGLE METER VALVE	1" - FORD BA63-444W-NL 1-1/2" - FORD BFA43-666W-NL	1" - FORD BFA43-666W-NL 1-1/2" - FORD BFA43-666W-NL	FORD BFA43-777W-NL
3 SERVICE LINE (SIZE AS DIRECTED BY SJWD)	1" POLYETHYLENE TUBE, IPS 1-1/2" POLYETHYLENE TUBE, CTS	1-1/2" POLYETHYLENE TUBE, CTS 2" POLYETHYLENE TUBE, CTS	2" POLYETHYLENE TUBE, CTS
4 CORP. STOP	1" - FORD FB1101-4-NL 1-1/2" - FORD FB1100-6-NL	FORD FB1100-6-NL	FORD FB1100-7-NL
5 90 DEG. ELBOW (REQUIRED)	1" - FORD L66-44-NL 1-1/2" - FORD L44-66-NL	FORD L44-66-NL	FORD L44-77-NL
6 INSERT (STIFFENER; USE AT EACH POLY CONNECTION, SEE SHT. 6)	1" - FORD 53-72 1-1/2" - FORD 54	FORD 54	FORD 55
7 SERVICE SADDLE (FOR ALL SIZES)	DIP, ACP, & STL - JONES 979 C-900 PVC - JONES 996	DIP - JONES 979 C-900 - JONES 996 OR EQUIV.	DIP - JONES 979 C-900 - JONES 996 OR EQUIV.
8 LOCATING WIRE	10 GA COPPER (INSULATED)	10 GA COPPER (INSULATED)	10 GA COPPER (INSULATED)
9 CONC. OR BRICK BLOCKING	2" X 4" (LENGTH AS REQ'D)	2" X 4" (LENGTH AS REQ'D)	2" X 4" (LENGTH AS REQ'D)

NOTES:

- ALL MATERIALS SHALL BE "LEAD FREE" PER CA STATE REQUIREMENTS.
- BACKFLOW PREVENTION DEVICES SHALL BE RPP-TYPE UNLESS OTHERWISE APPROVED BY SJWD ENGINEERING (WILKINS 975 XL2, OR FEBCO LF825Y). DCDC-TYPE MAY BE ALLOWED ON A SPECIAL CASE BASIS WITH SJWD ENGINEERING APPROVAL (WILKINS 350XL, FEBCO LF850).
- PROJECTS WITHIN SD. PLACER FIRE DISTRICT (SPFD) MAY BE GRANTED A SJWD WAIVER FROM THE BACKFLOW DEVICE REQUIREMENT PROVIDED A MODIFIED PASSIVE PURGE SYSTEM IS INSTALLED AND SJWD RECEIVES A SPFD INSP. CERT.
- COLD WEATHER INSULATED COVERS SHALL BE PROVIDED BY OWNER FOR ALL BACKFLOW DEVICES.
- SECURITY CAGES, FAUX ROCK COVERS, OR OTHER PROTECTION METHODS ARE THE OWNER'S RESPONSIBILITY.
- INSTALLATIONS REQUIRING A DOMESTIC METER LARGER THAN 1-IN SHALL BE PRE-APPROVED BY SJWD.
- SERVICE/BOX/METER SIZE, MANUFACTURER, TYPE AND MODEL TO BE DETERMINED AND APPROVED BY SJWD ENGINEER.
- PROVIDE DOMESTIC, IRRIGATION AND FIRE DEMAND CALCULATIONS FOR SJWD REVIEW FOR ALL PROJECTS.
- BOLLARDS MAY BE REQUIRED TO PROTECT BACKFLOW DEVICE IN TRAFFIC HAZARD AREAS.
- BACKFLOW PREVENTION DEVICES SHALL BE TESTED ANNUALLY BY AN SJWD APPROVED, STATE CERTIFIED TESTER.
- PROPERTY OWNER SHALL BE RESPONSIBLE FOR ALL BACKFLOW DEVICE MAINTENANCE, REPAIRS AND REPLACEMENT.
- CONNECTIONS WITH ONSITE BOOSTER PUMPS SHALL BE APPROVED BY SJWD AND SHALL INCORPORATE A PRESSURE SUSTAINING CONTROL VALVE OR DEVICE TO ENSURE THE PUBLIC WATER SUPPLY DOES NOT DROP BELOW 20 PSI. SUBMIT PUMP SYSTEM DESIGN TO SJWD ENGINEER FOR PRE-APPROVAL BEFORE INSTALLATION.



NOTE - THE BACKFLOW DEVICE AND ALL FITTINGS, ETC. SHALL BE "LEAD FREE" TYPE.

TO RESIDENTIAL CONNECTION

NOTE - ANTI-THEFT SECURITY CAGE MAY BE INSTALLED BY OWNER AT OWNER'S DISCRETION

MAINTENANCE ISOLATION VALVE (TYPICAL ON BOTH SIDES OF BACKFLOW DEVICE)

SJWD APPROVED BACKFLOW DEVICE

NOTE - REFERENCE SHT 21 FOR INFO ON CONC. PAD AND BACKFLOW DEVICE INSTALLATION

WHEN REQUIRED BY SJWD BACKFILL PRIVATE FIRE SERVICE LINE FROM METER SPUD TO BACKFLOW USING CDF OR CONCRETE PER FIELD DIRECTION OF SJWD INSPECTOR

WATER METER AND METER BOX (SEE STD DETAIL SHEETS 6, 7, 18 AND 19 FOR ADDITIONAL INFO)

1" TO 2" WATER METER

1-1/2" OR 2" MIN. SERVICE LINE (FOR ALL RES. FIRE SERVICE CONNECTIONS UNLESS OTHERWISE PRE-APPROVED BY SJWD)

WATER SERVICE CONNECTION TAP

WATER MAIN IN STREET

PLAN VIEW

PRIVATE / OWNER MAINTENANCE RESPONSIBILITY
DISTRICT MAINTENANCE RESPONSIBILITY

1", 1-1/2" & 2" RESIDENTIAL FIRE SERVICE INSTALLATION

SAN JUAN WATER DISTRICT



NO	DATE	REVISIONS	APP	BY

APPROVED

SCALE: NTS

PRINT DATE: 06/22/16

DETAIL NO: SHT 4 OF 27