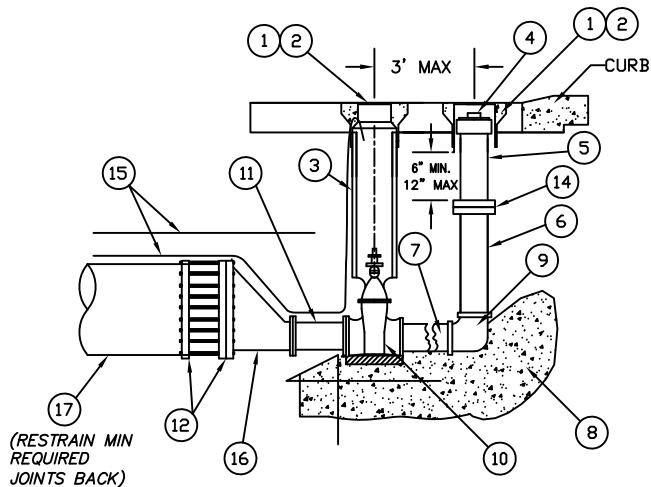


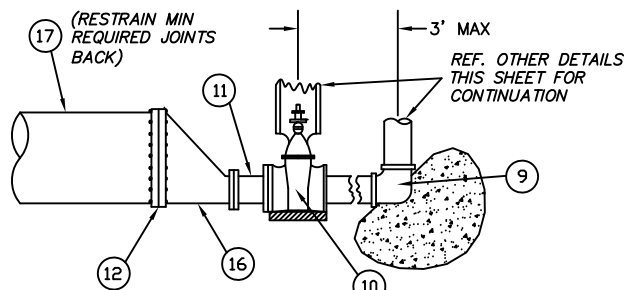
MATERIALS - LIST	
ITEM	DESCRIPTION
1	CONCRETE VALVE BOX W/C.I. TRAFFIC RATED LID MARKED "WATER" CHRISTY G-5, BROOKS 2-RT OR APPROVED EQUIV.
2	6" CONCRETE COLLAR UNDER PAVEMENT, 4" THICK
3	8" RISER PIPE (SDR-35 OR C-900)
4	PVC PLUG W/ SQUARE NUT ON FIPxPIP COLLAR
5	4" OR 6" GALVANIZED STEEL RISER - MIP x MIP, STD, WT
6	4" OR 6" DUCTILE IRON PIPE RISER - FLG OR MJ RESTRAINED
7	DUCTILE IRON PIPE (DIP)
8	CONCRETE THRUST BLOCK (PER SHEETS 12 & 13 OF 27)
9	4" OR 6" DIP 90° ELL FLG x FLG OR MJ RESTRAINED
10	4" OR 6" GATE VALVE FLG x MJ OR FLG x FLG
11	DUCTILE IRON SPOOL PIECE, 2-3 LF AS REQUIRED TO INSTALL THRUST BLOCKING (SEE SHT. 12 "REDUCER" BLOCK)
12	RESTRAINED FCA, OR FLG PIPE END, OR RESTRAINED MJ
13	WELDED FLANGE
14	COMPANION FLANGE W/ TRIPAC NUTS & BOLTS
15	LOCATOR TAPE AND TRACER WIRE
16	MJ x FLG OR FLG x FLG RESTRAINED REDUCER (CONCENTRIC PREFERRED, ECCENTRIC OPTIONAL WITH DISTRICT APPROVAL)
17	WATER MAIN



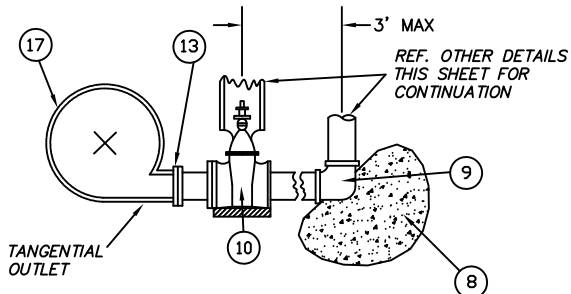
**DUCTILE IRON & PVC MAINS
TYPE "A"
(LONGITUDINAL INSTALLATION)**

NOTES:

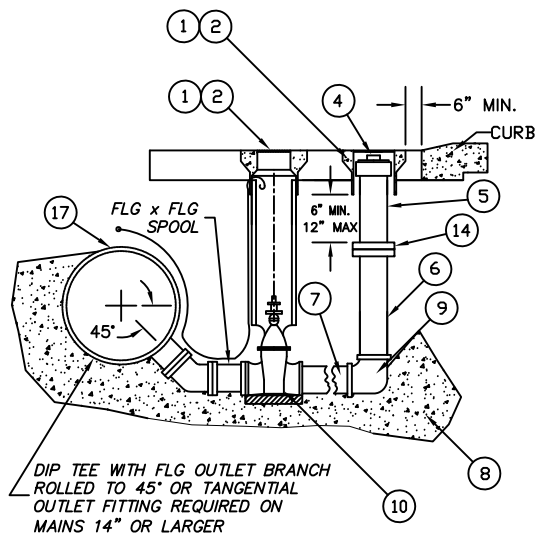
- UNLESS OTHERWISE DIRECTED BY SJWD, 4" BLOWOFF ASSEMBLY TO BE USED ON 6" THROUGH 10" MAINS. 6" BLOWOFF ASSEMBLY TO BE USED ON 12" AND LARGER MAINS.
- ALL PIPING MATERIALS SHALL BE DUCTILE IRON UNLESS OTHERWISE APPROVED BY THE DISTRICT OR NOTED HERE IN. ALL MATERIALS SHALL BE RESTRAINED AND THRUST BLOCKED. FASTENERS SHALL BE TRI-PAC.
- PLACE BLOWOFF ASSEMBLY CURBSIDE, NOT IN CURB SECTION OR IN GUTTER.
- IF WATER MAIN AND FITTINGS ARE NOT COATED PAINT RODS, COLLARS, LUGS AND OTHER BARE STEEL WITH PROTECTO WRAP NO CA1200 MASTIC OR POLYGUARD CA 14 OR APPROVED EQUIVALENT.
- IF WATER MAIN OR FITTINGS ARE COATED, BLOWOFF ASSEMBLY SHALL ALSO BE COATED WITH THE SAME MATERIAL OR OTHER APPROVED MATERIAL.
- ALL DIP PIPING MATERIALS SHALL BE POLYWRAPPED. BURIED BRASS AND GALV., STEEL, WHEN ALLOWED SHALL BE TAPE WRAPPED WITH 3-MIL(MIN.) POLY TAPE OR DISTRICT APPROVED EQUIVALENT.
- FOR LATERAL CONNECTIONS TO MAIN LINES GREATER THAN 12" PLACE FLUSHING RISER 5' BACK OF CURB.
- VERIFY AND INSTALL RESTRAINED JOINT LENGTH REQUIRED FOR UPSTREAM PIPE JOINTS NEEDING MECHANICAL RESTRAINT.
- LONGITUDINAL INSTALLATIONS FOR AC PIPE SHALL ONLY BE PER DISTRICT DIRECTION.
- TYPE "B" ROLLED OR TANGENTIAL OUTLET MAY BE REQUIRED BY DISTRICT IN SOME CASES FOR MAINS LESS THAN 14" DIA.



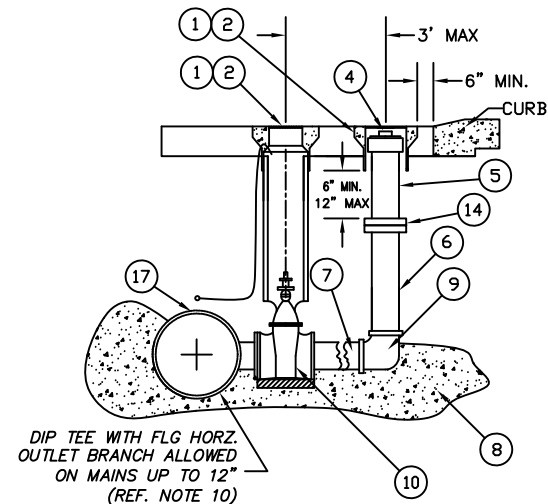
**STEEL MAINS TYPE "A"
(LONGITUDINAL / END PIPE INSTALLATION)**



**STEEL MAINS TYPE "B"
(LATERAL INSTALLATION)**



**DUCTILE IRON, ASBESTOS CEMENT & PVC MAINS
TYPE "B" 14-IN DIA. OR GREATER
(LATERAL INSTALLATION)**



**DUCTILE IRON, ASBESTOS CEMENT & PVC MAINS
TYPE "B" 12-IN DIA. OR SMALLER
(LATERAL INSTALLATION)**

NO	DATE	REVISIONS	APP	BY
1	05/26/16	UPDATED RISER DETAILS	RW	SE
1	10/30/08	ADDED DIP RISER	RW	EH



4" & 6" BLOW OFF ASSEMBLY

SAN JUAN WATER DISTRICT

APPROVED

SCALE: NTS PRINT DATE: 05/26/2016 DETAIL NO: SHT 9 OF 27