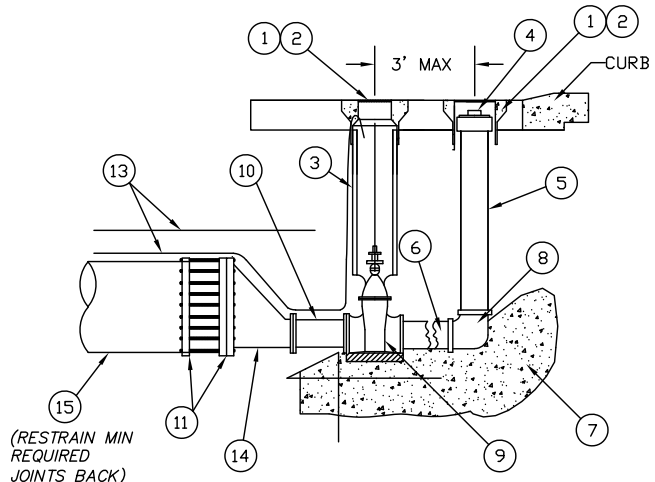
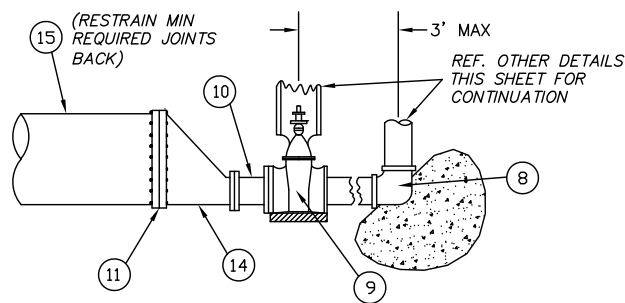


MATERIALS - LIST	
ITEM	DESCRIPTION
1	CONCRETE VALVE BOX W/C.I. TRAFFIC RATED LID MARKED "WATER" CHRISTY G-5, BROOKS 2-RT OR APPROVED EQUIV.
2	6" CONCRETE COLLAR UNDER PAVEMENT, 4" THICK
3	8" RISER PIPE (SDR-35 OR C-900)
4	DUCTILE IRON COMPANION FLANGE AND THREADED PLUG W/ SQUARE NUT
5	4" OR 6" DUCTILE IRON PIPE RISER -PE X FLG
6	DUCTILE IRON PIPE (DIP)
7	CONCRETE THRUST BLOCK (PER SHEETS 12 & 13 OF 27)
8	4" OR 6" DIP 90° ELL FLG x FLG OR MJ RESTRAINED
9	4" OR 6" GATE VALVE FLG x MJ OR FLG x FLG
10	DUCTILE IRON SPOOL PIECE, 2-3 LF AS REQUIRED TO INSTALL THRUST BLOCKING (SEE SHT. 12 "REDUCER" BLOCK)
11	RESTRAINED FCA, OR FLG PIPE END, OR RESTRAINED MJ
12	WELDED FLANGE
13	LOCATOR TAPE AND TRACER WIRE
14	MJ x FLG OR FLG x FLG RESTRAINED REDUCER (CONCENTRIC PREFERRED, ECCENTRIC OPTIONAL WITH DISTRICT APPROVAL)
15	WATER MAIN

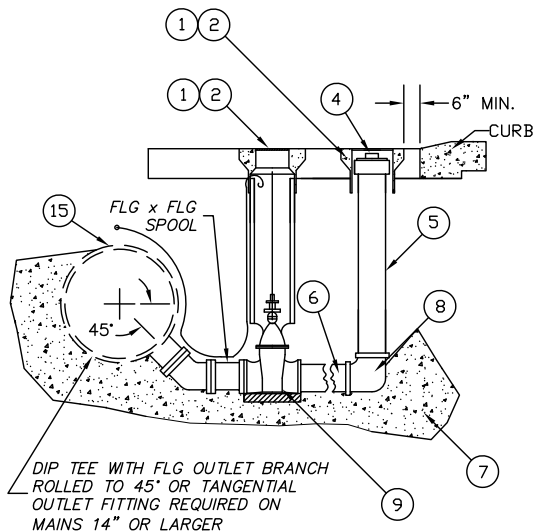


**DUCTILE IRON & PVC MAINS  
TYPE "A"  
(LONGITUDINAL INSTALLATION)**

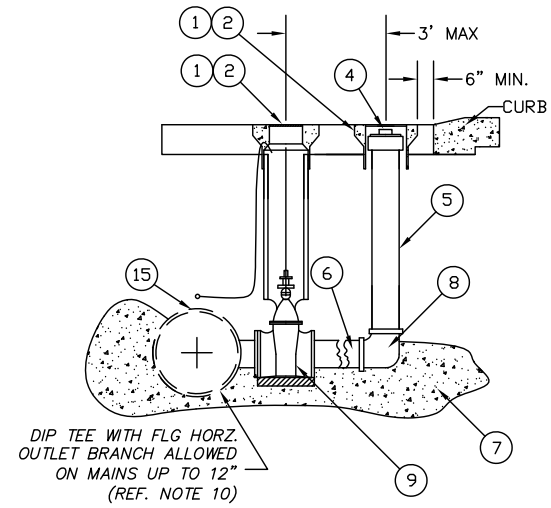
- NOTES:**
- UNLESS OTHERWISE DIRECTED BY SJWD, 4" BLOWOFF ASSEMBLY TO BE USED ON 6" THROUGH 10" MAINS. 6" BLOWOFF ASSEMBLY TO BE USED ON 12" AND LARGER MAINS.
  - ALL PIPING MATERIALS SHALL BE DUCTILE IRON UNLESS OTHERWISE APPROVED BY THE DISTRICT OR NOTED HERE IN. ALL MATERIALS SHALL BE RESTRAINED AND THRUST BLOCKED. FASTENERS SHALL BE TRI-PAC.
  - PLACE BLOWOFF ASSEMBLY CURBSIDE, NOT IN CURB SECTION OR IN GUTTER.
  - IF WATER MAIN AND FITTINGS ARE NOT COATED PAINT RODS, COLLARS, LUGS AND OTHER BARE STEEL WITH PROTECTO WRAP NO CA1200 MASTIC OR POLYGUARD CA 14 OR APPROVED EQUIVALENT.
  - IF WATER MAIN OR FITTINGS ARE COATED, BLOWOFF ASSEMBLY SHALL ALSO BE COATED WITH THE SAME MATERIAL OR OTHER APPROVED MATERIAL.
  - ALL DIP PIPING MATERIALS SHALL BE POLYWRAPPED.
  - FOR LATERAL CONNECTIONS TO MAIN LINES GREATER THAN 12" PLACE FLUSHING RISER 5' BACK OF CURB.
  - VERIFY AND INSTALL RESTRAINED JOINT LENGTH REQUIRED FOR UPSTREAM PIPE JOINTS NEEDING MECHANICAL RESTRAINT.
  - LONGITUDINAL INSTALLATIONS FOR AC PIPE SHALL ONLY BE PER DISTRICT DIRECTION.
  - TYPE "B" ROLLED OR TANGENTIAL OUTLET MAY BE REQUIRED BY DISTRICT IN SOME CASES FOR MAINS LESS THAN 14" DIA.



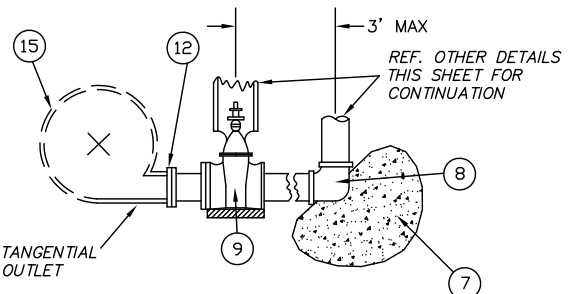
**STEEL MAINS TYPE "A"  
(LONGITUDINAL / END PIPE INSTALLATION)**



**DUCTILE IRON, ASBESTOS CEMENT & PVC MAINS  
TYPE "B" 14-IN DIA. OR GREATER  
(LATERAL INSTALLATION)**



**DUCTILE IRON, ASBESTOS CEMENT & PVC MAINS  
TYPE "B" 12-IN DIA. OR SMALLER  
(LATERAL INSTALLATION)**



**STEEL MAINS TYPE "B"  
(LATERAL INSTALLATION)**

NO	DATE	REVISIONS	APP	BY
1	09/22/23	UPDATED DETAIL	MH	SE



**4" & 6" BLOW OFF ASSEMBLY**

SAN JUAN WATER DISTRICT

APPROVED			
_____			
SCALE:	PRINT DATE:	DETAIL NO:	
NTS	09/22/2023	SHT 9 OF 27	