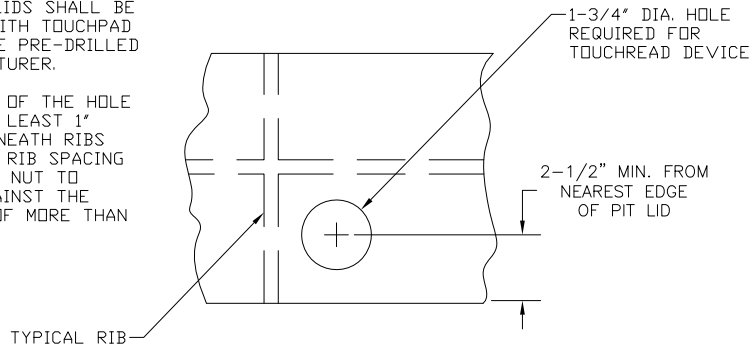


NOTES:

1. METER PIT LIDS SHALL BE PROVIDED WITH TOUCHPAD SENSOR HOLE PRE-DRILLED BY MANUFACTURER.
2. THE CENTER OF THE HOLE MUST BE AT LEAST 1" FROM UNDERNEATH RIBS UNLESS THE RIB SPACING ALLOWS THE NUT TO TIGHTEN AGAINST THE OPEN SIDE OF MORE THAN ONE RIB.

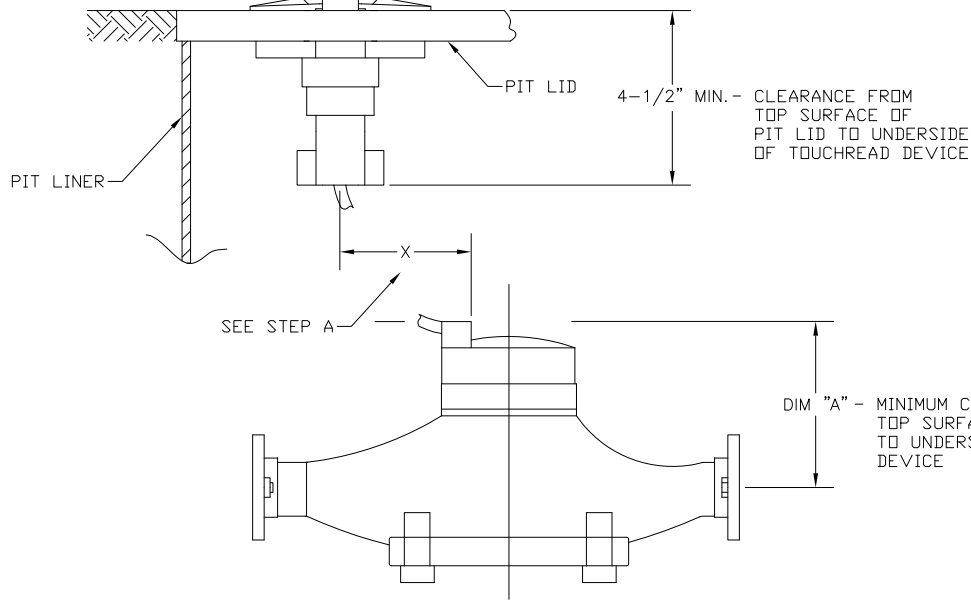


**METER PIT LID
PLAN VIEW**

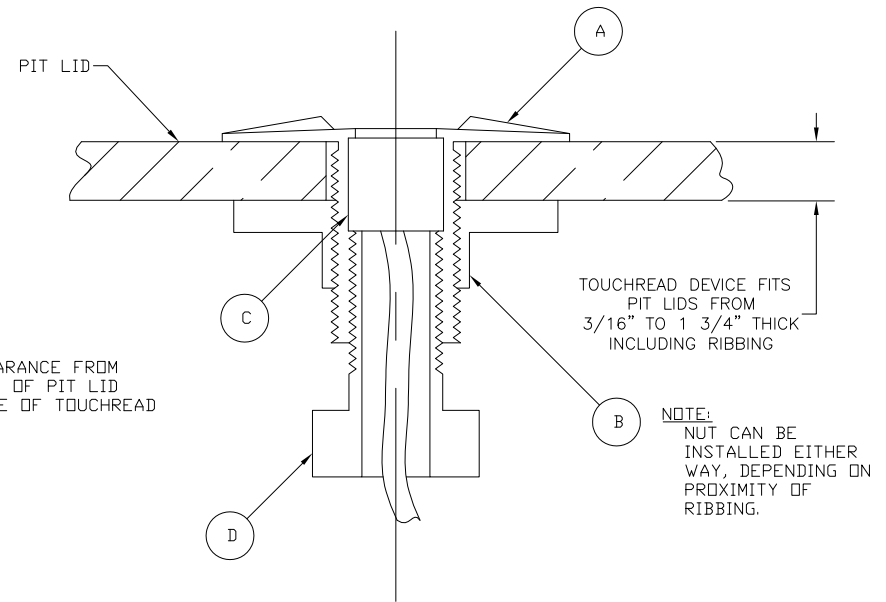
INSTALLATION INSTRUCTIONS

INSTALLING DEVICE:

1. INSERT SENSOR HOUSING (A) THROUGH PIT LID HOLE FROM ABOVE AND TIGHTEN SECURELY IN PLACE WITH PLASTIC NUT (B).
2. INSERT SENSOR ASSEMBLY (C), CONNECTED TO METER'S REGISTER, INTO HOUSING AND SECURE IN PLACE WITH SCREW PLUG (D).
3. EXCESS WIRE SHOULD BE COILED LOOSELY, NOT TIED, IN METER PIT, ALLOWING SLACK FOR PIT COVER (LID) REMOVAL.



**METER PIT INSTALLATION
PROFILE VIEW**



**TOUCHREAD INSTALLATION DETAILS
SECTION VIEW**

SR METERS		SR II METERS	
METER SIZE	DIM "A"	METER SIZE	DIM "A"
5/8"	4 1/2	5/8"	5 1/2
3/4"	5	3/4"	5 1/2
1"	5 1/2	1"	6 1/2
1 1/2"	6		
2"	7		

NO	DATE	REVISIONS	APP	BY



**WATER METER TOUCHREAD DEVICE
INSTALLATION INSTRUCTIONS**

SAN JUAN WATER DISTRICT

APPROVED

SCALE: NTS PRINT DATE: 04/17/07 DETAIL NO: SHT 24 OF 27