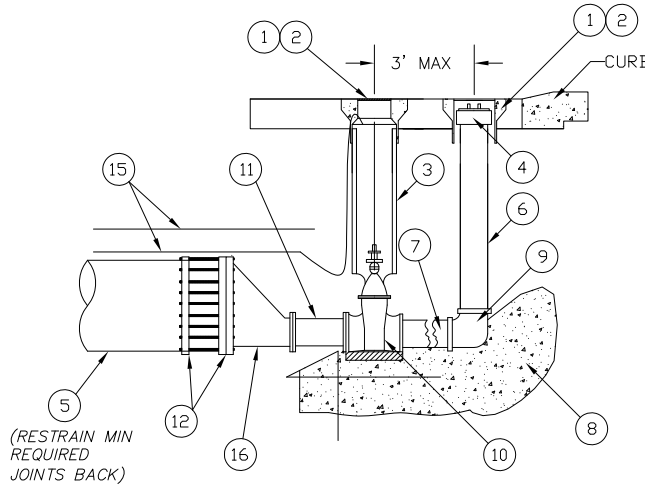


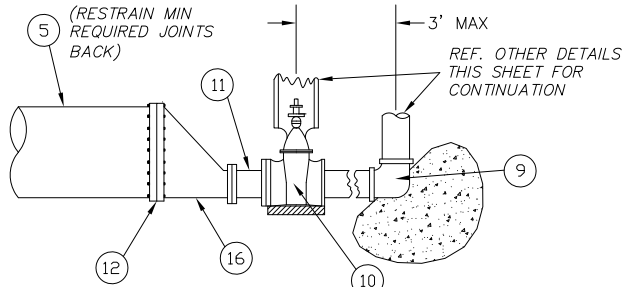
| MATERIALS - LIST |  |
|------------------|--|
| ITEM             | DESCRIPTION  |
| 1                | CONCRETE VALVE BOX W/C.I. TRAFFIC RATED LID MARKED "WATER" CHRISTY G-5, BROOKS 2-RT OR APPROVED EQUIV.     |
| 2                | 6" CONCRETE COLLAR UNDER PAVEMENT, 4" THICK  |
| 3                | 8" RISER PIPE (SDR-35 OR C-900)  |
| 4                | FIP x FIP COUPLING & GALV. BAR PLUG "CROSS TOP TYPE"   |
| 5                | WATER MAIN   |
| 6                | 4" OR 6" GALVANIZED STEEL RISER - MIP x MIP, STD. WT.  |
| 7                | DUCTILE IRON PIPE (DIP)  |
| 8                | CONCRETE THRUST BLOCK (PER SHEETS 12 & 13 OF 27)   |
| 9                | 4" OR 6" C.I. 90° ELL MJ x FLG W/FLG x FIP ADAPTER   |
| 10               | 4" OR 6" GATE VALVE FLG x MJ OR FLG x FLG  |
| 11               | DUCTILE IRON SPOOL PIECE, 2-3 LF AS REQUIRED TO INSTALL THRUST BLOCKING (SEE SHT. 12 "REDUCER" BLOCK)      |
| 12               | RESTRAINED FCA, OR FLG PIPE END, OR RESTRAINED MJ  |
| 13               | WELDED FLANGE  |
| 14               | TEE VARIABLE x FLG   |
| 15               | LOCATOR TAPE AND TRACER WIRE   |
| 16               | MJ x FLG OR FLG x FLG RESTRAINED REDUCER (CONCENTRIC PREFERRED, ECCENTRIC OPTIONAL WITH DISTRICT APPROVAL) |



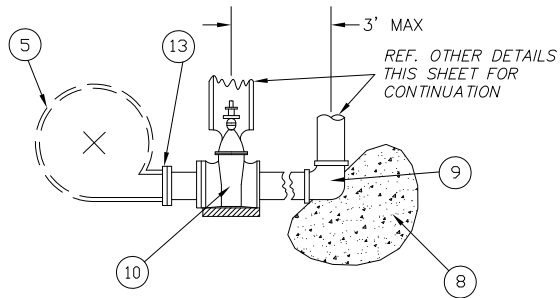
**DUCTILE IRON & PVC MAINS  
TYPE "A"  
(LONGITUDINAL INSTALLATION)**

**NOTES:**

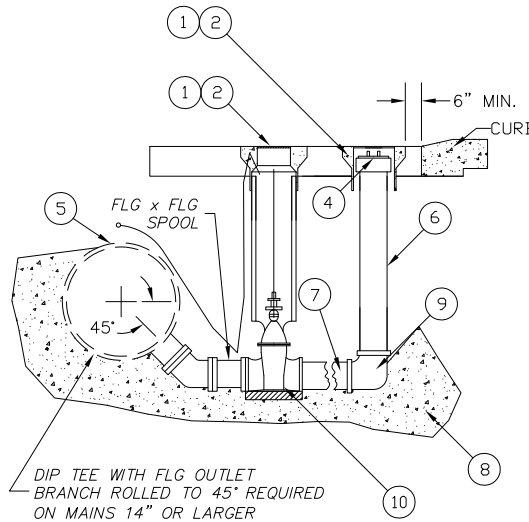
1. 4" BLOWOFF ASSEMBLY TO BE USED ON 6" THROUGH 10" MAINS. 6" BLOWOFF ASSEMBLY TO BE USED ON 12" AND LARGER MAINS.
2. ALL PIPING MATERIALS SHALL BE DUCTILE IRON UNLESS OTHERWISE APPROVED BY THE DISTRICT OR NOTED HERE IN. ALL MATERIALS SHALL BE RESTRAINED AND THRUST BLOCKED.
3. PLACE BLOWOFF ASSEMBLY CURBSIDE, NOT IN CURB SECTION.
4. IF MAIN AND FITTINGS IN MAIN ARE NOT COATED PAINT RODS, COLLARS, LUGS AND OTHER BARE STEEL WITH PROTECTO WRAP NO CA1200 MASTIC OR POLYGUARD CA 14 OR APPROVED EQUIVALENT.
5. IF MAIN OR FITTINGS IN MAIN ARE COATED, BLOWOFF ASSEMBLY SHALL ALSO BE COATED WITH THE SAME MATERIAL.
6. ALL DIP PIPING MATERIALS SHALL BE POLYWRAPPED. BURIED BRASS AND GALV., STEEL, WHEN ALLOWED SHALL BE TAPE WRAPPED WITH 3-MIL POLY TAPE OR DISTRICT APPROVED EQUIVALENT.
7. FOR LATERAL CONNECTIONS TO MAIN LINES GREATER THAN 12' PLACE FLUSHING RISER 5' BACK OF CURB.
8. VERIFY AND INSTALL RESTRAINED JOINT LENGTH REQUIRED FOR UPSTREAM PIPE JOINTS NEEDING MECHANICAL RESTRAINT.
9. LONGITUDINAL INSTALLATIONS FOR AC PIPE SHALL BE PER DISTRICT DIRECTION.
10. TYPE 'B' ROLLED OUTLET MAY BE REQUIRED BY DISTRICT IN SOME CASES FOR MAINS LESS THAN 14" DIA.



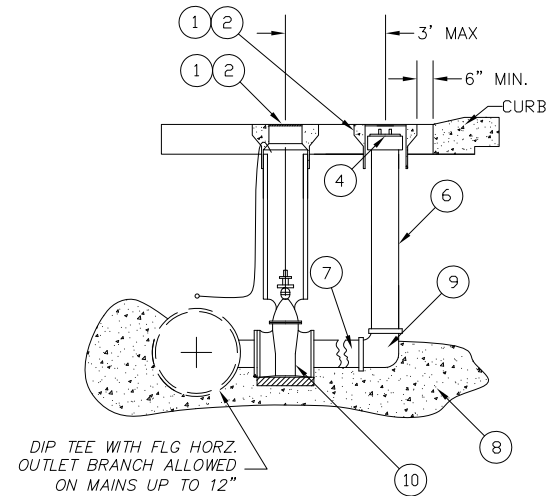
**STEEL MAINS TYPE "A"  
(LONGITUDINAL / END PIPE INSTALLATION)**



**STEEL MAINS TYPE "B"  
(LATERAL INSTALLATION)**



**DUCTILE IRON, ASBESTOS CEMENT & PVC MAINS  
TYPE "B" 14-IN DIA. OR GREATER  
(LATERAL INSTALLATION)**



**DUCTILE IRON, ASBESTOS CEMENT & PVC MAINS  
TYPE "B" 12-IN DIA. OR SMALLER  
(LATERAL INSTALLATION)**

| NO | DATE | REVISIONS | APP | BY |
|----|------|-----------|-----|----|
|    |      |           |     |    |
|    |      |           |     |    |



**4" & 6" BLOW OFF ASSEMBLY**

SAN JUAN WATER DISTRICT

APPROVED

SCALE: NTS PRINT DATE: 04/17/07 DETAIL NO. SHT 9 OF 27