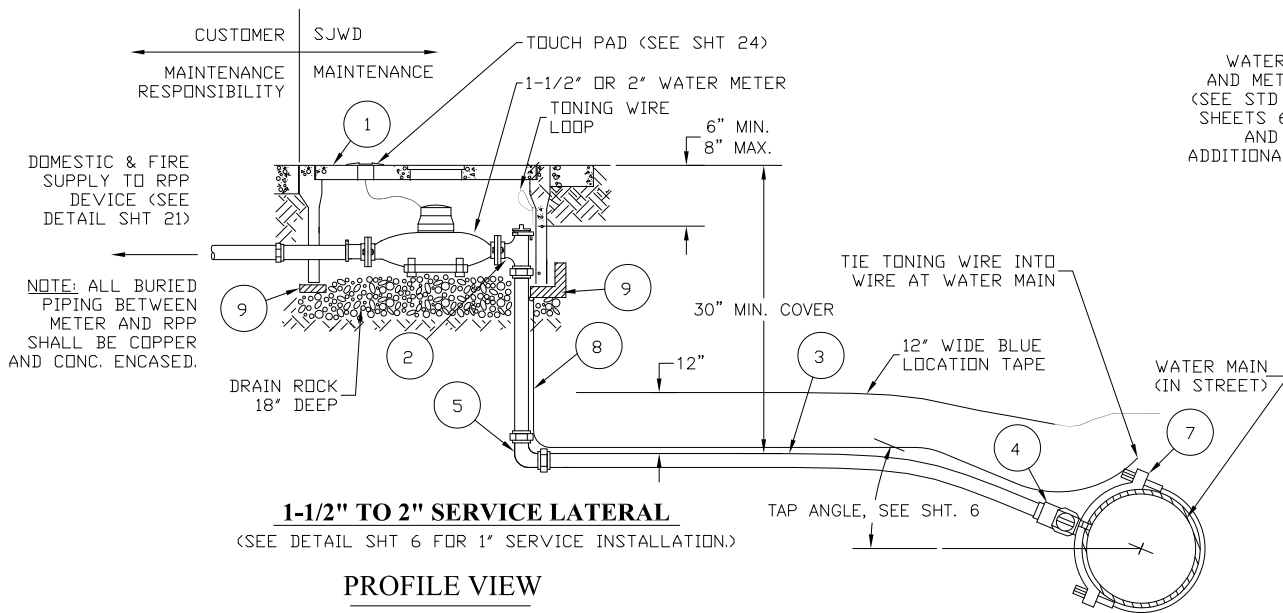


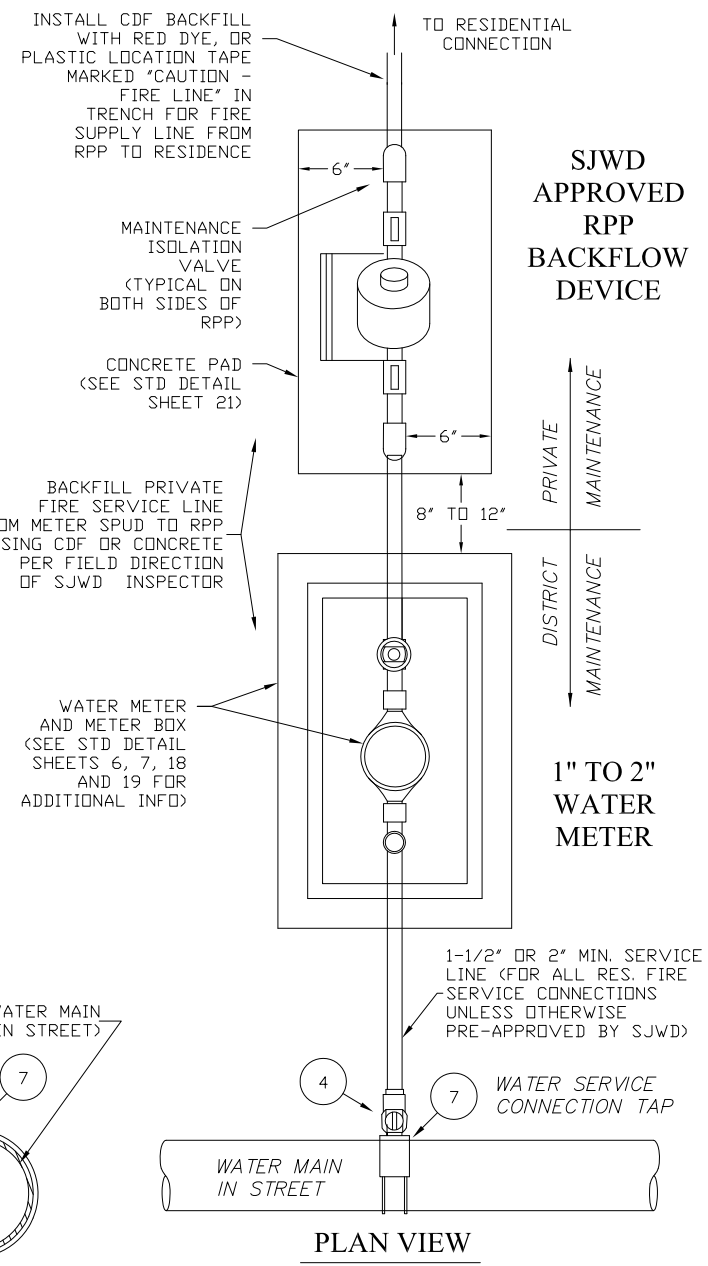
DESCRIPTION AND MODEL NUMBER				
	1" SERVICE	1-1/2" SERVICE	2" SERVICE	
1	METER BOX B-16 BOX W/B-16GP LID AND PW/TRPL PLUG	1-1/2" SERVICE B-30 BOX W/G-45GP LID AND PW/TRPL PLUG	2" SERVICE B-36 BOX W/G-70GP LID AND PW/TRPL PLUG	
2	ANGLE METER VALVE FORD KV63-444W	FORD FV 43-666W	FORD FV43-777W	
3	SERVICE LINE 1" POLYETHYLENE TUBE, IPS	1-1/2" POLYETHYLENE TUBE, CTS	2" POLYETHYLENE TUBE, CTS	
4	CORP. STOP F-FB1101	FB 1100	FB 1100	
5	ELL(REQUIRED) FORD L66-44	FORD L44-66	FORD L44-77	
6	INSERT (STIFFENER; USE AT EACH POLY CONNECTION, SEE SHT. 4)	FORD 72	FORD 54	FORD 55
7	SERVICE SADDLE (FOR ALL SIZES) DIP, ACP, & STL - JONES 979 C-900 PVC - JONES 996	DIP - JONES 979 C-900 - JONES 996 OR EQUIV.	DIP - JONES 979 C-900 - JONES 996 OR EQUIV.	
8	LOCATING WIRE 10 GA COPPER (INSULATED)	10 GA COPPER (INSULATED)	10 GA COPPER (INSULATED)	
9	CONC. OR BRICK BLOCKING 2" X 4" (LENGTH AS REQ'D)	2" X 4" (LENGTH AS REQ'D)	2" X 4" (LENGTH AS REQ'D)	

- NOTES:**
- BACKFLOW PREVENTION DEVICES (RPP) SHALL BE SJWD APPROVED.
 - COLD WEATHER INSULATED COVERS SHALL BE PROVIDED FOR ALL BACKFLOW DEVICES.
 - INSTALLATIONS REQUIRING A DOMESTIC METER LARGER THAN 1-IN SHALL BE PRE-APPROVED BY SJWD ON A CASE-BY-CASE BASIS.
 - PROVIDE DOMESTIC, IRRIGATION AND FIRE DEMAND CALCULATIONS FOR SJWD REVIEW, FOR ALL PROJECTS.
 - BOLLARDS MAY BE REQUIRED TO PROTECT BACKFLOW DEVICE IN TRAFFIC HAZARD AREAS.
 - SJWD SHALL HAVE PRIVATE BACKFLOW PREVENTION DEVICES TESTED ANNUALLY BY A SJWD APPROVED, STATE CERTIFIED BACKFLOW EQUIPMENT TESTER. PROPERTY OWNER SHALL REMAIN RESPONSIBLE FOR ALL BACKFLOW DEVICE MAINTENANCE, AND REPAIRS OR REPLACEMENT.
 - CONNECTIONS WITH ONSITE BOOSTER PUMPS SHALL INCORPORATE A PRESSURE SUSTAINING CONTROL VALVE TO ENSURE THE PUBLIC WATER SUPPLY DOES NOT DROP BELOW 20 PSI. SUBMIT DESIGN TO DISTRICT ENGINEER FOR PRE-APPROVAL BEFORE INSTALLATION.



1-1/2" TO 2" SERVICE LATERAL
(SEE DETAIL SHT 6 FOR 1" SERVICE INSTALLATION.)

PROFILE VIEW



PLAN VIEW

NO	DATE	REVISIONS	APP	BY



1", 1-1/2" & 2" RESIDENTIAL FIRE SERVICE INSTALLATION
SAN JUAN WATER DISTRICT

APPROVED		
SCALE: NTS	PRINT DATE: 07/12/07	DETAIL NO: SHT 4 OF 27