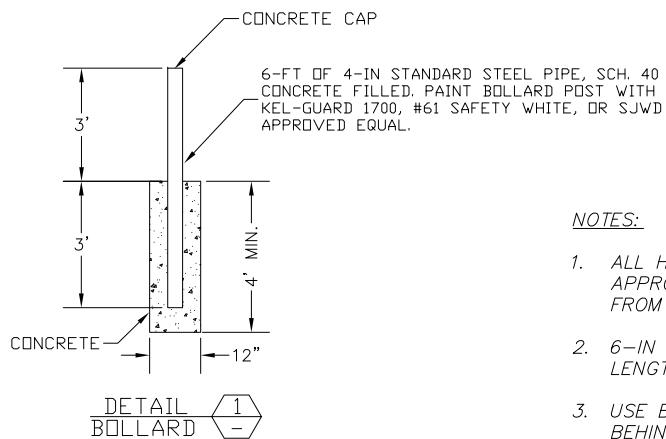
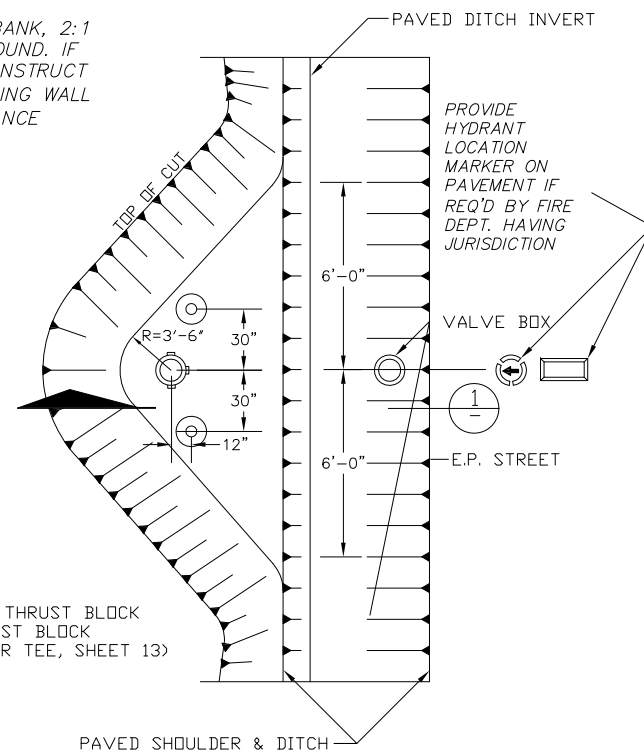


SECTION 1  
PROFILE VIEW



DETAIL 1  
BOLLARD

HYDRANT PAD CUT BANK, 2:1  
MAX. SLOPE ALL AROUND. IF  
NOT OBTAINABLE, CONSTRUCT  
A 2' 6" HIGH RETAINING WALL  
W/3' 0" MIN. CLEARANCE  
AROUND HYDRANT



PLAN VIEW

NOTES:

1. ALL HYDRANT LATERALS SHALL BE DIP UNLESS OTHERWISE APPROVED BY SJWD, AND SHALL BE MECHANICALLY RESTRAINED FROM VALVE TO BURY.
2. 6-IN DIAMETER DIP ALLOWED FOR LATERALS UP TO 18-FT IN LENGTH. IF OVER 18 LF USE 8-IN DIAMETER DIP.
3. USE BOLLARD ONLY WHERE HYDRANT IS LESS THAN 5-FT BEHIND CURB OR LESS THAN 8-FT BEHIND PAVEMENT EDGE UNLESS OTHERWISE DIRECTED BY SJWD.

NO	DATE	REVISIONS	APP	BY



## CUT - SLOPE FIRE HYDRANT

SAN JUAN WATER DISTRICT

APPROVED

SCALE: NTS PRINT DATE: 04/17/07 DETAIL NO: SHT 2 OF 27