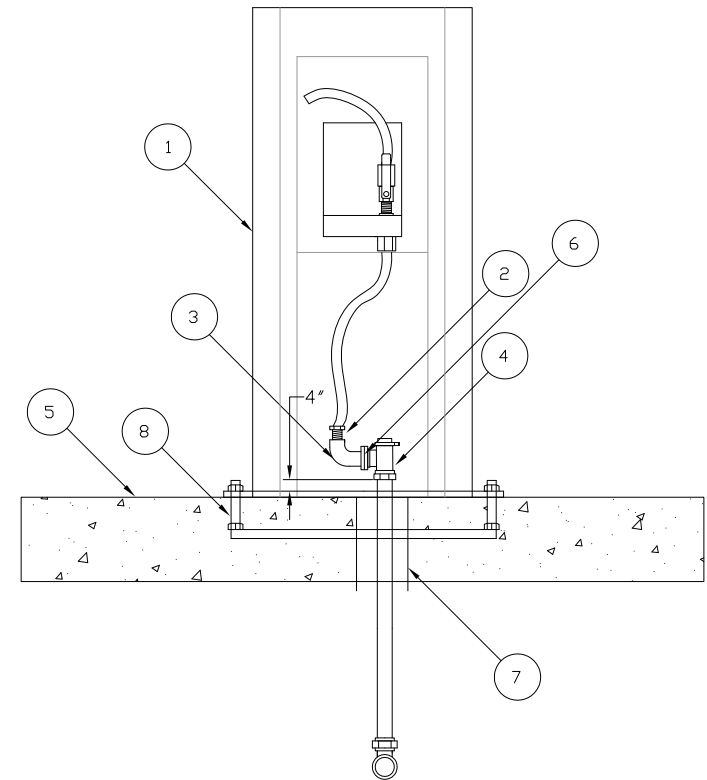


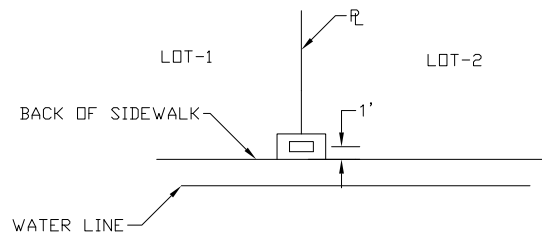
**SECTION VIEW**

**NOTES:**

1. SAMPLING STATION SHALL BE A PLACER WATERWORKS MODEL PW/TRS-B OR DISTRICT APPROVED EQUIVALENT.
2. CONCRETE PAD FOR SAMPLING STATION SHALL BE 24" SQUARE AND 8" THICK. THE PAD SHALL BE SET LEVEL AND PLACED ADJACENT TO SIDEWALK, OR PLACED 5 FEET FROM EDGE OF PAVEMENT WHEN NO WALK EXISTS.
3. FOR CONNECTION TO MAIN SEE DISTRIBUTION MAIN SERVICE CONNECTIONS 1-IN ON DETAIL SHEET 7.
4. USE INSERT STIFFENER, ITEM 12 IN SCHEDULE OF MATERIALS, FOR EACH PACK JOINT.
5. SADDLES TO BE INSTALLED MIN. 18" FROM PIPE COUPLING OR ADJACENT SADDLES.
6. PIPE TRENCHING DETAILS SEE SHEET 11.
7. BOLLARD POSTS ARE REQUIRED WHERE SAMPLING STATIONS ARE LESS THAN 5' FROM BACK OF CURB. PLACE POSTS 5' APART AND 12" IN FRONT OF STATION. SEE SHEET 2 OF 27 FOR BOLLARD SPECS.
8. WRAP 90° ELL WITH 3-MIL POLYTAPE.
9. BOLLARDS MAY BE REQUIRED BY DISTRICT PER FIELD DIRECTION IN TRAFFIC HAZARD AREAS.



**FRONT VIEW**



**PLAN VIEW - RECOMMENDED PLACEMENT**

MATERIALS - LIST	
ITEM	DESCRIPTION
1	PLACER WATER WORKS PW/TRS-B SAMPLING STATION
2	1" BRASS NIPPLE
3	1" BRASS STREET 90° ELL
4	1" ANGLE METER VALVE - FORD KV63-444K
5	24" x 24" x 8" CONCRETE SLAB
6	1½" x 1" BRASS BUSHING
7	4" PVC SLEEVE
8	CONCRETE EMBED KIT - PW/WSE
9	90° ELL - FORD L-66-44
10	10 GA COPPER(INSULATED) LOCATING WIRE
11	1" SERVICE LINE - POLYETHYLENE TUBE, IPS
12	INSERT - FORD 72
13	CORPORATION STOP - FORD F-FB1101
14	SERVICE SADDLE DIP & ACP - JONES 979 C-900 PVC - JONES 996

NO	DATE	REVISIONS	APP	BY



**SAMPLE STATION INSTALLATION**

SAN JUAN WATER DISTRICT

APPROVED

SCALE: NTS

PRINT DATE: 07/13/07

DETAIL NO: SHT 27 OF 27